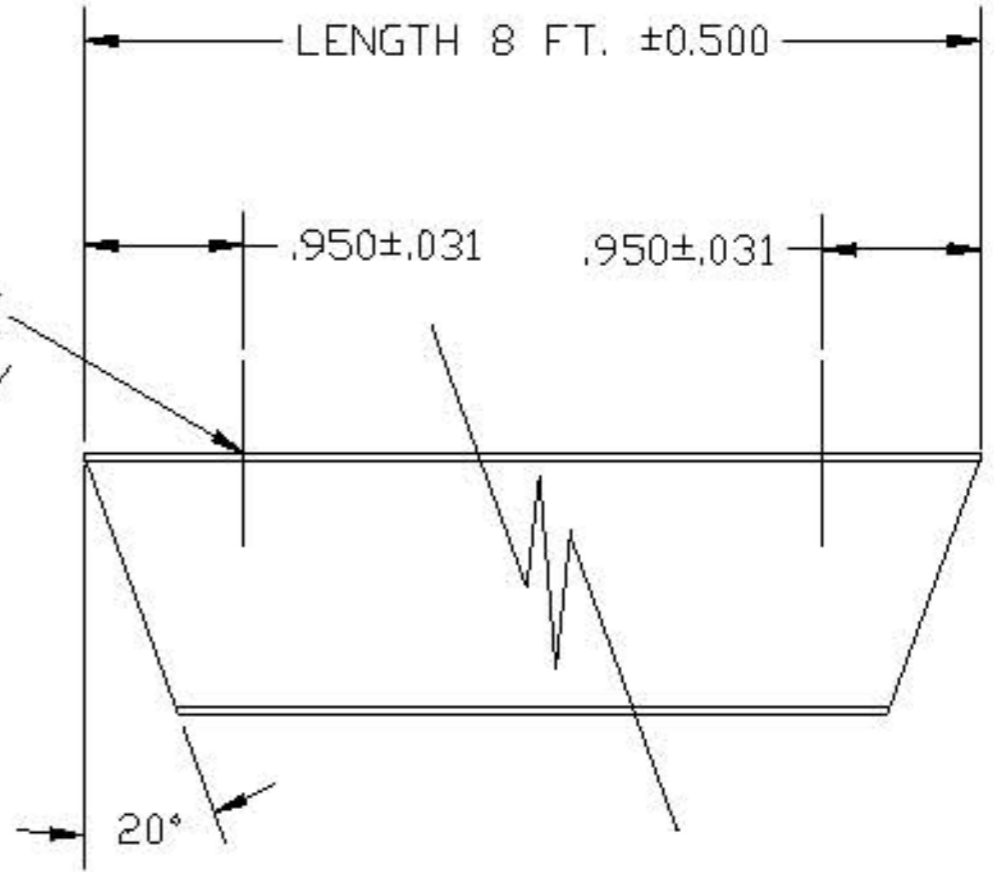


.281 DIA HOLE  
ONE END ONLY



NOTES:

- 1) CABLE RANGE : 3/16" DIA TO 5/8" DIA
- 2) BILL OF MATERIALS:
  - ITEM-1 CUSTOM SNAPPER<sup>TM</sup> PROFILE
  - ITEM-2 1/4-20 X 1 1/4 HEX. CAP SCREW-STAINLESS STEEL-CAPTIVE
  - ITEM-3 1/4" FLAT WASHER-1 1/16" O.D. STAINLESS STEEL
  - ITEM-4 CABLE CLAMP- STAINLESS STEEL
  - ITEM-5 1/4 RED CAP
- 3) REA LISTED
- 4) GENERAL WALL .045"

CUSTOM PLASTICS, INC.	
CUSTOM SNAPPER <sup>TM</sup> GUY GUARD	
MAT'L: PVC/POLY UV STABLE	
CATALOG # CPI-10006 - POLY	REV 3 5/18/98
CATALOG # CPI-10009 - PVC	

DRAWING: NOT TO SCALE